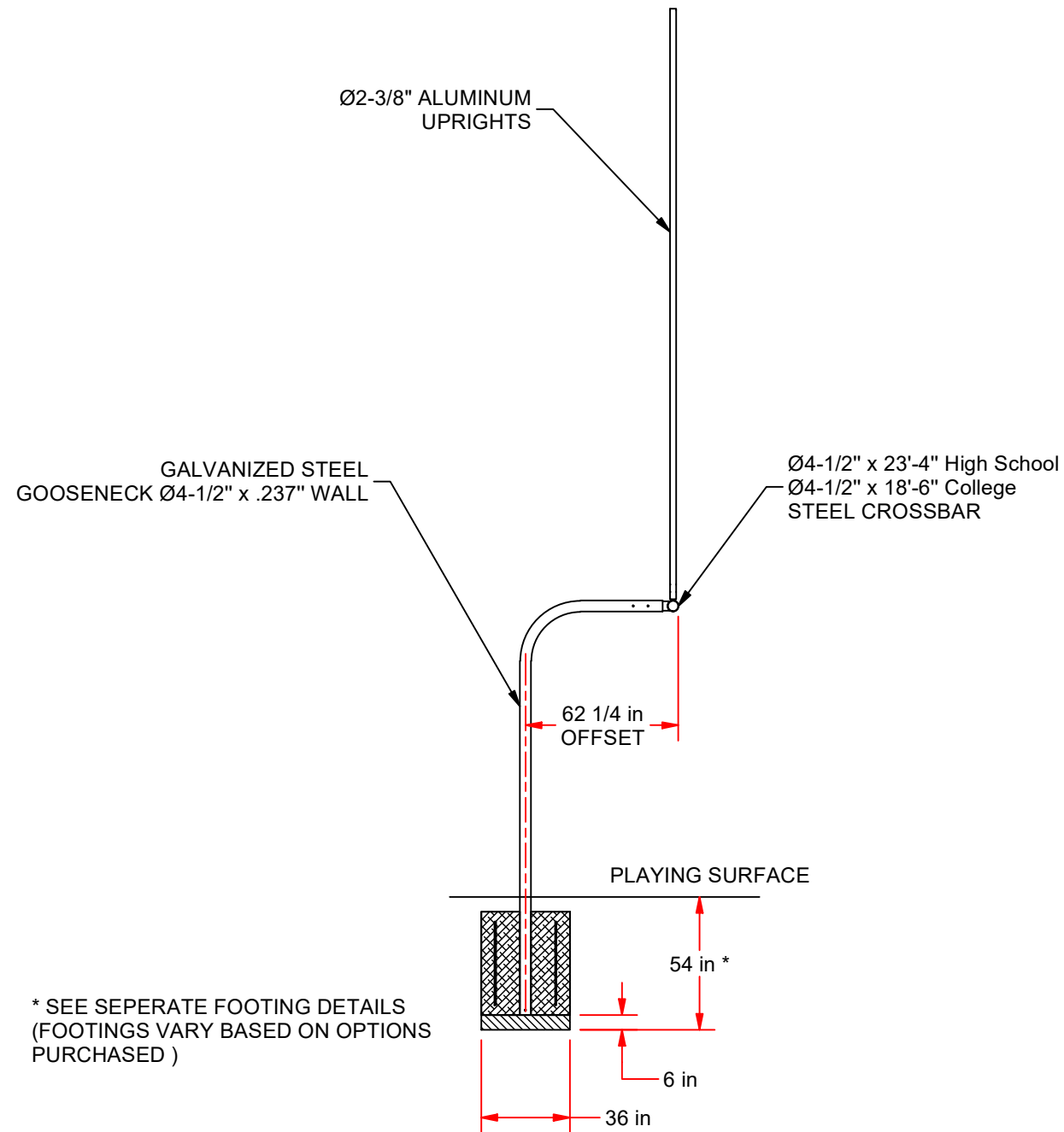
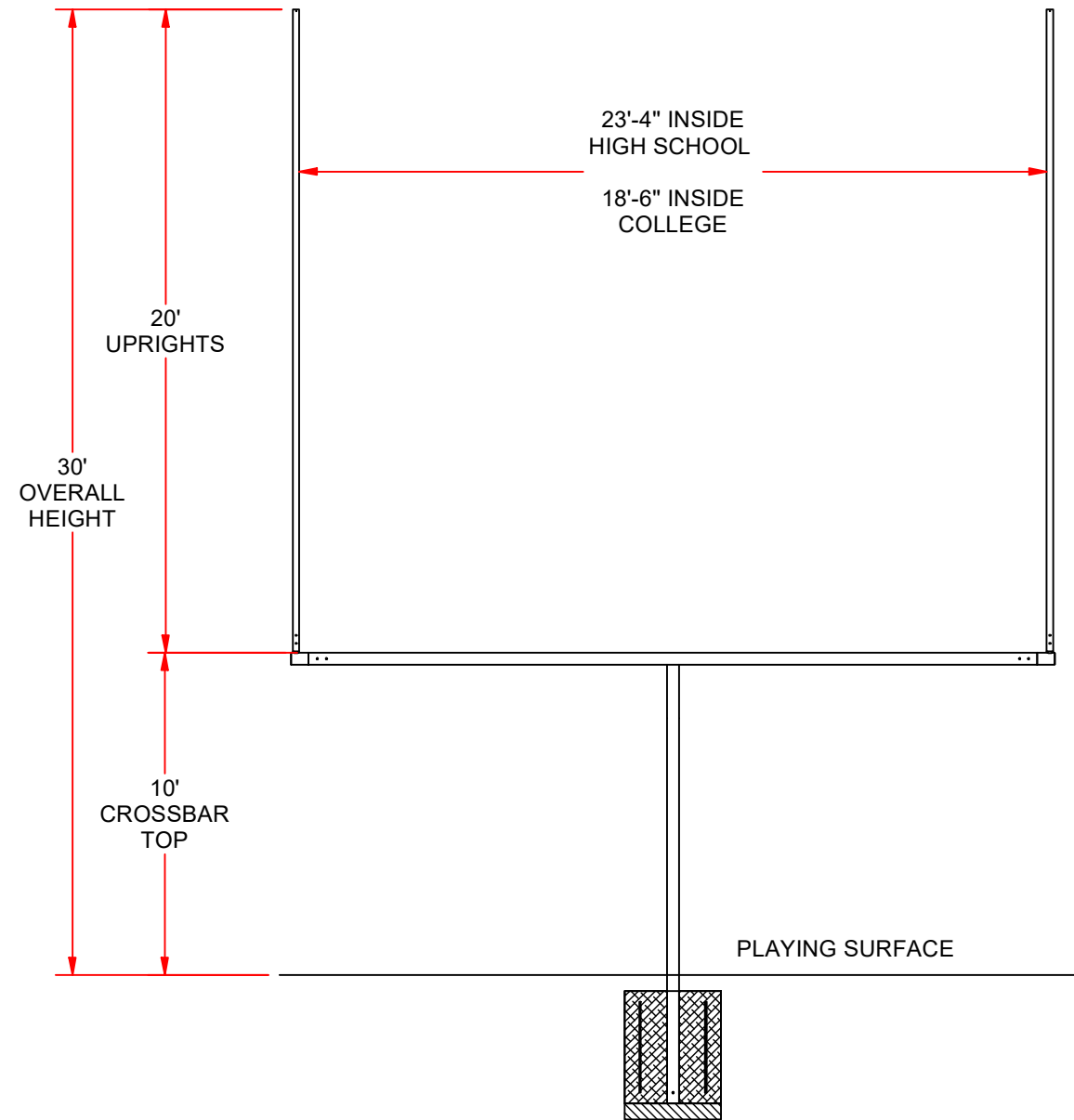


# FBGP-620 FOOTBALL GOAL POST




**SIDE VIEW**

\* SEE SEPERATE FOOTING DETAILS  
(FOOTINGS VARY BASED ON OPTIONS  
PURCHASED )



**FRONT VIEW**

FBGP-620	HIGH SCHOOL	WHITE
FBGP-620YW	HIGH SCHOOL	YELLOW
FBGP-620C	COLLEGE	WHITE
FBGP-620CYW	COLLEGE	YELLOW

 976 Hartford Turnpike Waterford, CT 06385 USA (800)243-0533 Fax: (800)988-3363 www.jaypro.com	MODEL NUMBER: FBGP-620 INSTALLATION	CHECKED BY: WVB
	PRODUCT NAME: FBGP-620 INSTALLATION	
	DATE: 2/8/2012	REV: -



## FBGP-620 SERIES

### OFFICIAL 5' OFFSET FOOTBALL GOAL POST - PERMANENT AND SEMI-PERMANENT INSTALLATIONS -

#### LIST OF MATERIALS (ONE GOAL POST)

<u>ITEM NO.</u>	<u>PART NO.</u>	<u>DESCRIPTION</u>	<u>QTY.</u>
1	HS5119	Bolt-HX HD ½"-13 x 5"	4
2	HS5066	Bolt-HX HD ½"-13 x 7 ¾"	2
3	HN268	½"-13 LOCK NUT	6
4	HW2044	½" FLAT WASHER	6
5	HS1616	Bolt-3/8"-16 x 2 ¾"	4
6	HN1230	3/8"-16 LOCK NUT	4
7	HW2047	3/8" FLAT WASHER	4
8	AF65	Top upright cap	2
9	HS5161	RIVET 3/16"	1
10	WS-42RD	WIND STREAMER SET OF 4	0.5

#### IMPORTANT

- 1) The location of the gooseneck with respect to the field is critical. By rule, the front of the crossbar should be even with the field side (inside) edge of the end line such that the crossbars measure 360 ft apart inside to inside. The distance from the end line to centerline of the bottom upright (gooseneck) is approximately **62 1/4"** for the FBGP-620 series. See Figure 1 for full field layout.
- 2) The footing depth is dependant on the type of installation, permanent or semi-permanent. For permanent installations see Figures 2 & 3. For a semi-permanent using a ground sleeve (Part No. FBSLV5) see Figure 4.
- 3) Concrete should be a minimum 4000-psi mix.
- 4) The crossbar should be level and at a height of 10 ft above ground level. The uprights should be plumb in both directions, front to back and side to side. Adjust goal components as necessary. Note that a certain amount of deflection in the crossbar is to be expected due to the weight of the end fittings and uprights on each end.

## **SLEEVE AND GOOSENECK INSTALLATION**

- 1) Excavate the footing hole to the appropriate dimensions shown. See Figures 1, 2, 3, and 4 for locating the footing and height of the gooseneck. Use Figures 2 & 3 for permanent installations. Use Figure 4 for semi permanent installations with standard ground sleeve (FBSLV5).
- 2) Once hole is excavated, re-check depths to assure the correct crossbar height (10' 0") will be achieved. Note: Due to the weight of the crossbar and uprights, the gooseneck will deflect downward 1" to 1-1/2".
- 3) Create a 6" base by using a concrete block or pouring a level pad 6" in the bottom of the hole. Allow 48 hours to cure. Once the 6" pad has cured, center your gooseneck in the hole. Make sure the upright is perpendicular and square to the playing field. Adequately support the gooseneck to prevent any movement and allow to cure for a full 48 hrs.

## **CROSSBAR AND UPRIGHT INSTALLATION**

Once the footing is complete and the concrete has set for 48 hours, next install the crossbar.

### **Crossbar Installation:**



Use 10' scaffolding and a ladder, have two people on the scaffolding to lift and move the crossbar. Now with a third person on the ladder guide the insert into the gooseneck.



Insert the crossbar into the gooseneck. Set the crossbar depth so the front edge of the crossbar is inline with the inside edge (field side) of the end line. Once the crossbar is level, mark by using a center punch and drill the holes through the gooseneck. Start with a 3/16" bit, then a 3/8" bit, and finally a 1/2" bit.

**Mark and Drill Crossbar:**



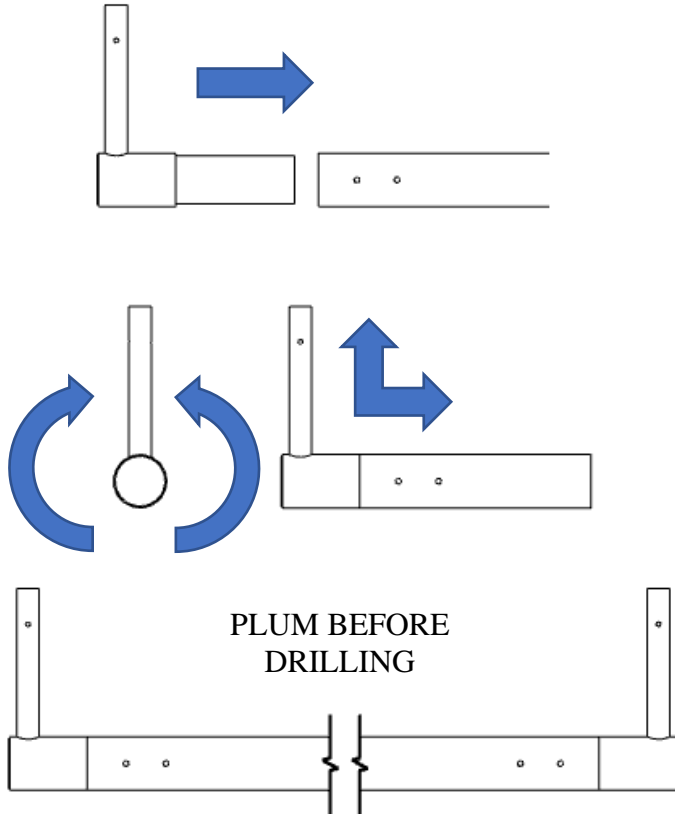
Once the holes are drilled, use the 1/2" bolts with two flat washers and lock nut. Use a Silicon sealant on each side of the bolt to prevent corrosion.

**Tightening 1/2" bolts between crossbar and gooseneck:**



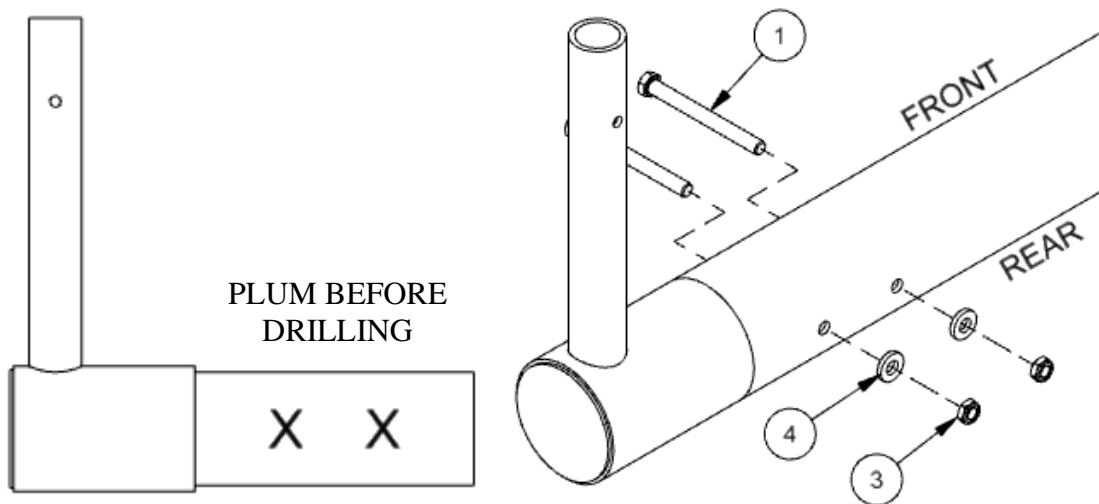
**Top Upright Installation:**

Place the end fitting in the end of the crossbar and plumb to level in two directions – front to back and side to side. Mark the holes using a center punch. **IMPORTANT:** It is critical that the holes in the end fitting be properly placed to ensure that the end fittings are square and the uprights are parallel to each other.



Remove the end fitting and drill the marked holes. Start with a 3/16” bit, then a 3/8” bit, and finally a 1/2” bit.

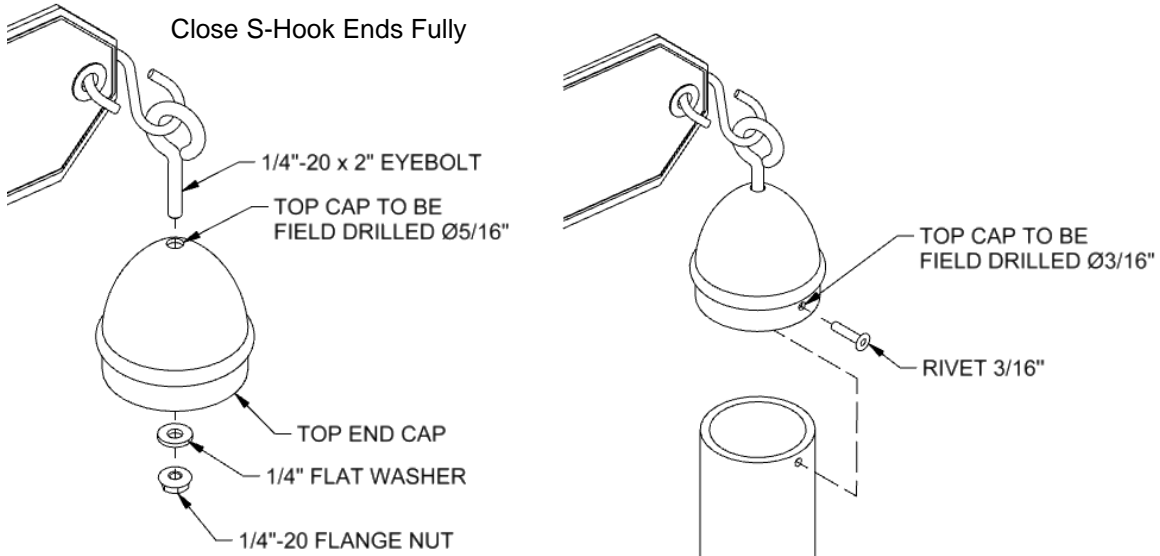
**Drill End Fitting:**



Insert the end fitting in the crossbar and loosely install the appropriate hardware. Verify that the vertical member is square to the crossbar and plumb.

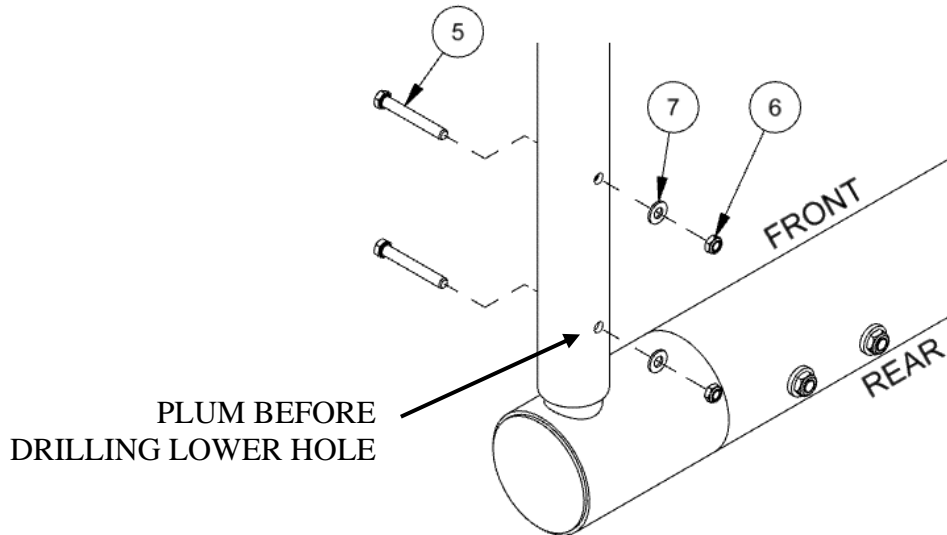
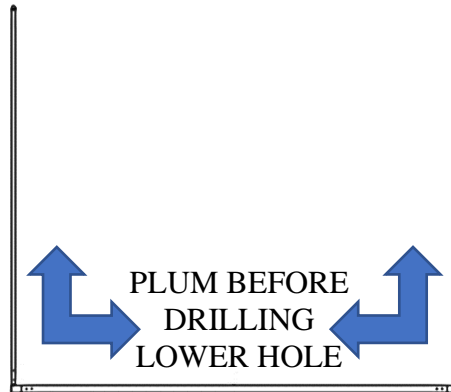
**Attach top upright cap:**

Install the wind streamers by drilling a 5/16" diameter in the tip of the cap. Assemble the wind streamers as shown below. Tap the cap in place and drill a 3/16" hole through the cap and the top upright. Use the 3/16" rivet provided to secure the cap.



NOTE: Do Not Over-Tighten,  
Streamer Must Spin Freely.

**Install Top Upright:**



- Lift one upright onto the insert of the end fitting.
- Install the 3/8" hardware through the upright and predrilled hole in the insert.
- Plum the upright, drill the lower hole, and install 3/8 hardware.

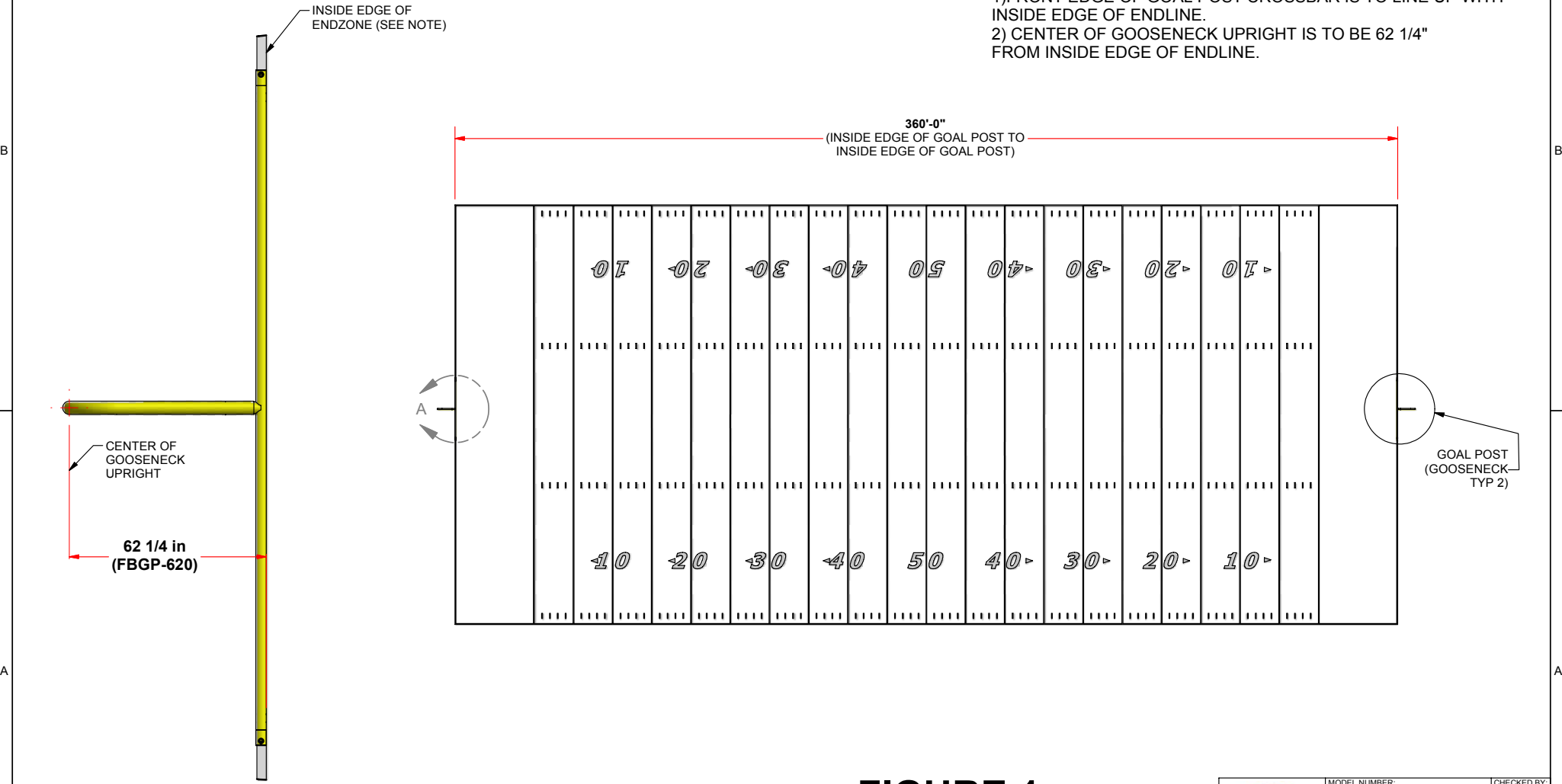


Once complete, repeat on the other side. After both goalposts are installed, use yellow Rustoleum to paint all of the bolt heads and nuts. This will give the fasteners an extra layer of protection, give the goalpost a finished look, and touch up any scratches.



REV	DESCRIPTION	DATE	BY
A	DISTANCE BETWEEN UPRIGHT AND CROSSBAR WAS 55 in	2/9/2012	DRL

NOTE:  
 1) FRONT EDGE OF GOAL POST CROSSBAR IS TO LINE UP WITH INSIDE EDGE OF ENDLINE.  
 2) CENTER OF GOOSENECK UPRIGHT IS TO BE 62 1/4" FROM INSIDE EDGE OF ENDLINE.

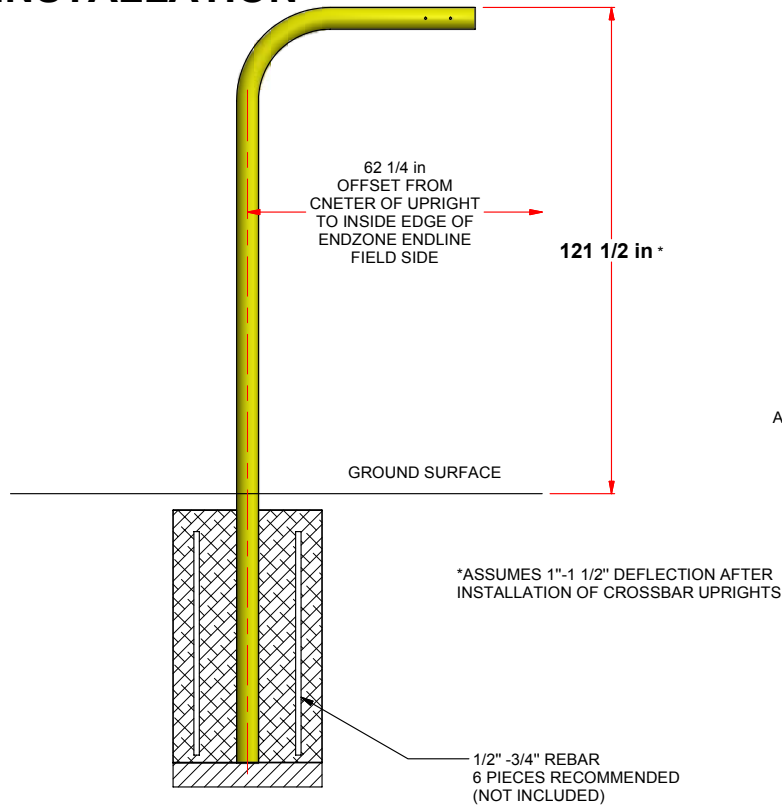


**FIGURE 1**

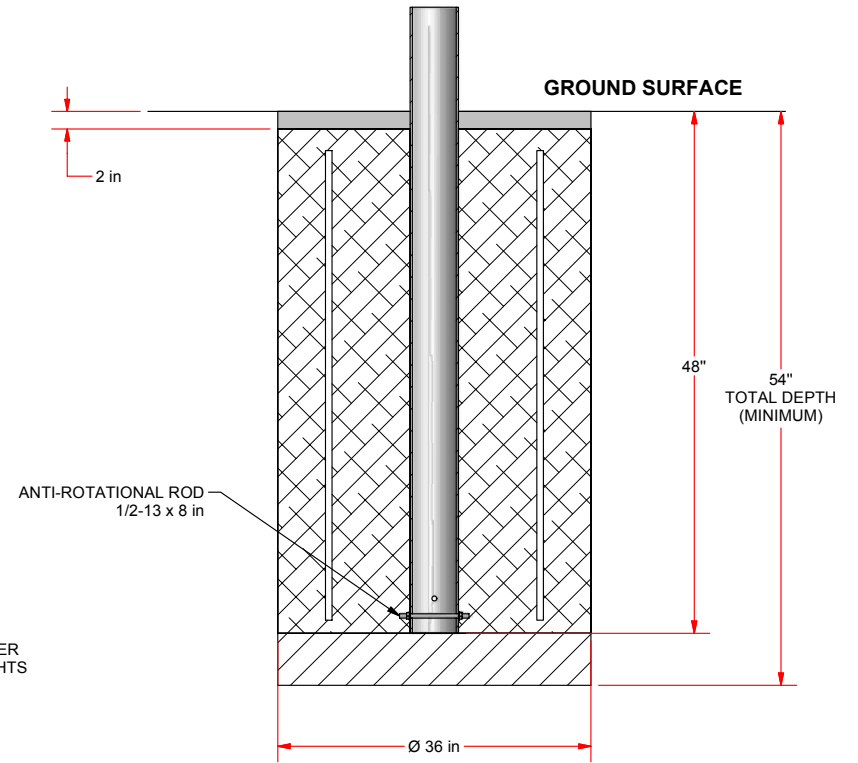
 976 Hartford Turnpike Waterford, CT 06385 USA (800)243-0533 Fax: (800)988-3363 www.jaypro.com	MODEL NUMBER:	FIELD	CHECKED BY:	WVB	
	PRODUCT NAME:	FBGP-620 SERIES			
DATE:	2/9/2012	REV:	A	DRAWN BY:	DRL

REV	DESCRIPTION	DATE	BY
A	DISTANCE OF GOOSENECK TO END LINE WAS 55 in, FOOTING WAS 66 in TOTAL DEPTH	2/9/2012	DRL

# FBGP-620 FOOTBALL FOOTING PERMANENT INSTALLATION



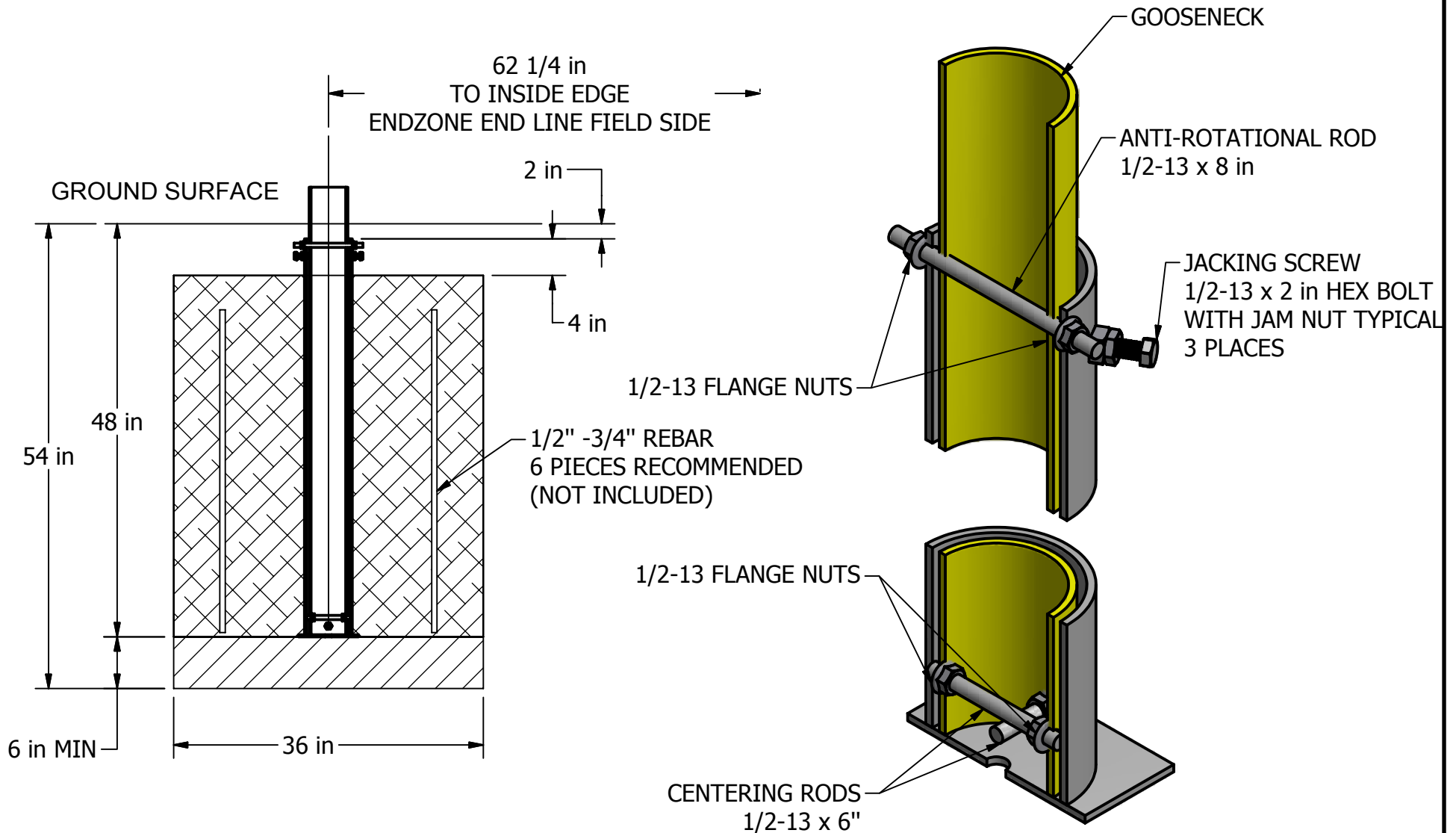
**FIGURE 2**



**FIGURE 3**


 976 Hartford Turnpike Waterford, CT 06385 USA (800)243-0533 Fax: (860)888-3063 www.jaypro.com	MODEL NUMBER: FBGP-620	CHECKED BY: WVB
	PRODUCT NAME: <b>FBGP-620 FOOTING SPECIFICATIONS</b>	
DATE: 2/9/2012	REV: A	DRAWN BY: DRL

REV	DESCRIPTION	DATE	BY
B	FOOTING DEPTH WAS 66 in	2/9/2012	DRL



**FIGURE 4**

NOTE: ASSEMBLE THE THREADED RODS AT THE BASE OF THE GOOSENECK AS SHOWN, PLUMB THE GOOSENECK WITH THE THREE JACKING SCREWS AT THE TOP OF THE SLEEVE BEFORE CROSS DRILLING THROUGH THE SLEEVE AND MAST AND ASSEMBLING THE 8 in THREADED ROD AND NUTS AS SHOWN

 976 Hartford Turnpike Waterford, CT 06385 USA (800)243-0533 Fax: (800)988-3363 www.jaypro.com	MODEL NUMBER: FBSLV5 INSTRUCTIONS	CHECKED BY: WVB
	PRODUCT NAME: GROUND SLEEVE INSTRUCTIONS	
DATE: 5/3/2010	REV: B	DRAWN BY: DONL